



**LIGHTNING AUDIO**<sup>®</sup>  
EXCESSIVE SOUND. EXCESSIVE LIFESTYLE.



**STRIKE**<sup>®</sup>

**Woofers**

54.10.4

54.10.8

54.12.4

54.12.8

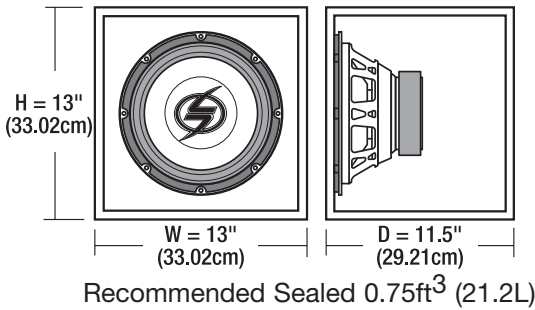
54.15.4

54.15.8

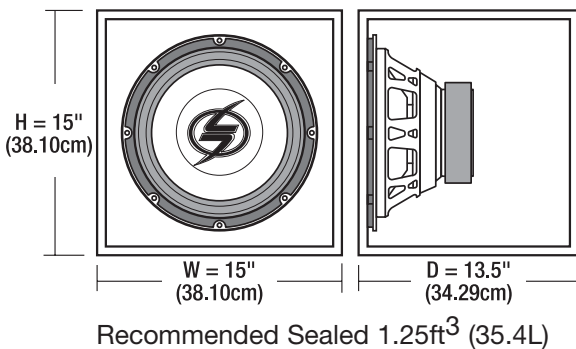
10"	STRIKE	SVC	SUBWOOFER
12"	STRIKE	SVC	SUBWOOFER
15"	STRIKE	SVC	SUBWOOFER

## SEALED ENCLOSURES

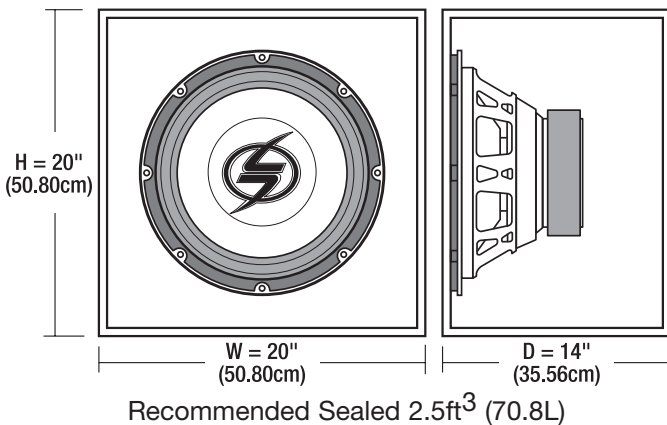
### STRIKE S4.10.4/ S4.10.8



### STRIKE S4.12.4/ S4.12.8



### STRIKE S4.15.4/ S4.15.8



**NOTE:** All recommended volumes are TOTAL internal volume, before any speaker and/or port displacement. All external dimensions were based on the use of 3/4" materials.

#### DEUTSCH

Zur Volumen-Berechnung benötigen sie die genauen Maße und Dimensionen in Zentimetern.

Gehäuse-Volumen = Höhe (cm) x Breite (cm) x Tiefe (cm)
(Liter) <span style="float: right;">1000</span>

**NOTE:** When using enclosures other than specified, call Technical Support for correct application.

- CAUTION:** Before installation, disconnect the battery negative (-) terminal to prevent damage to the unit, fire and/or possible injury.
- MISE EN GARDE :** avant d'entamer l'installation, déconnectez la broche négative (-) de la batterie pour éviter tout risque de blessures, d'incendie ou de dommages à l'appareil.
- PRECAUCIÓN:** Antes de la instalación, desconecte el terminal negativo de la batería (-) para prevenir daño a la unidad, incendio y/o posibles lesiones.
- VORSICHT:** Entfernen Sie vor dem Einbau den negative Batteriepol, um Schäden am Gerät, Feuer bzw. mögliche Verletzungen zu vermeiden.
- ATTENZIONE:** Prima dell'installazione, scollegate il terminale negativo (-) della batteria per evitare danni all'unità, pericoli d'incendio e/o potenziali lesioni personali.

## CALCULATING VOLUMES

Calculating volume is merely a matter of measuring the internal dimensions in inches and using the formula:

Box Volume =	Height " x Width" x Depth"
(cubic feet)	1728

#### FRANÇAIS

On calcule le volume en mesurant la dimension de chaque côté et en utilisant la formule suivante:

Volume du caisson = Hauteur (cm) x Longueur (cm) x Largeur (cm)
(Litres) <span style="float: right;">1000</span>

#### ESPAÑOL

Para calcular el volumen sólo se han de medir las dimensiones en centímetros y aplicar la fórmula:

Volumen de la caja = Alto(cm) x Ancho(cm) x Profundidad(cm)
(en litros) <span style="float: right;">1000</span>

#### ITALIANO

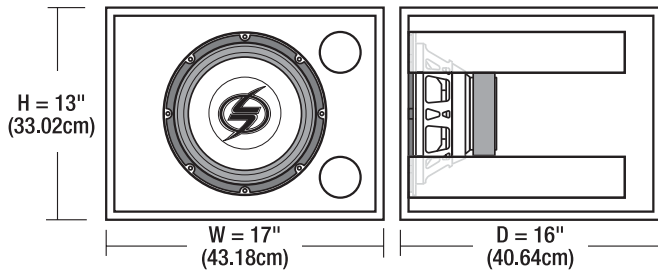
Calcolare il volume é essenzialmente solo un problema di misurazione delle dimensioni in centimetri della cassa e di applicazione della formula:

Volume della cassa = Alteza(cm) x Larghezza(cm) x Profondità(cm)
(litri) <span style="float: right;">1000</span>

# INSTALLATION REFERENCE SHEET

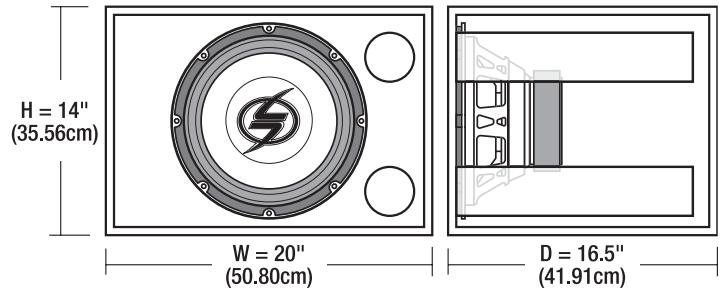
## VENTED ENCLOSURES

### STRIKE S4.10.4/ S4.10.8



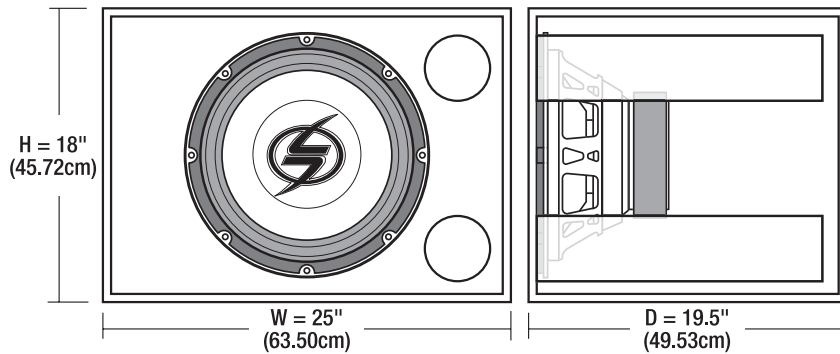
Recommended Vented 1.5ft<sup>3</sup> (42.5L), Ports (2) 2.5"x13.25"

### STRIKE S4.12.4/ S4.12.8



Recommended Vented 2.0ft<sup>3</sup> (56.6L), Ports (2) 3"x14.5"

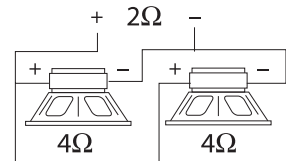
### STRIKE S4.15.4/ S4.15.8



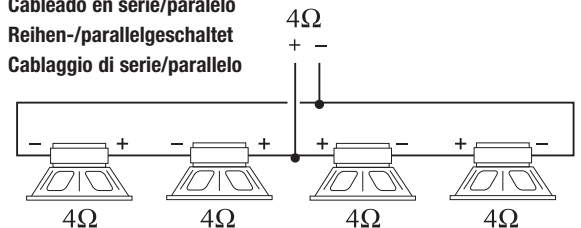
Recommended Vented 4.0ft<sup>3</sup> (113.3L), Ports (2) 4"x17.25"

## WIRING CONFIGURATIONS

**Parallel Wiring**  
 Câblage en parallèle  
 Cableado en paralelo  
 Parallelschaltet  
 Cablaggio di parallelo



**Series/Parallel Wiring**  
 Câblage/en série/parallèle  
 Cableado en serie/paralelo  
 Reihen-/parallelschaltet  
 Cablaggio di serie/parallelo



## SPECIFICATIONS

Model - Strike	S4.10.4	S4.10.8	S4.12.4	S4.12.8	S4.15.4	S4.15.8
Nominal Impedance (Ohms)	4 Ω	8 Ω	4 Ω	8 Ω	4 Ω	8 Ω
Voice Coil Diameter - (in.)	2	2	2	2	2	2
FS (Hz)	25	25	23	24	21	21
QTS	0.454	0.41	0.65	0.53	0.62	0.59
VAS (cu.ft.)	1.1	1.2	2.2	2.6	4.6	5.3
VAS (liter)	31.7	34	61.3	73.7	130	149.1
Xmax (in.)	0.29	0.26	0.3	0.27	0.29	0.26
Xmax (mm)	7	7	8	7	7	7
SPL (dB M/W)	85.2	85.7	87.6	87.2	89.1	88.9
Power Handling (RMS)	300	300	300	300	300	300
Power Handling (Max)	900	900	900	900	900	900
Mounting Dia. (in.)	9-1/2	9-1/2	11-3/8	11-3/8	14	14
Mounting Dia. (mm)	241	241	289	289	356	356
Mounting Depth (in.)	5-3/4	5-3/4	6-1/4	6-1/4	7-1/8	7-1/8
Mounting Depth (mm)	146	146	159	159	181	181
Speaker Dis. (cu. ft.)	0.08	0.08	0.13	0.13	0.15	0.15
Speaker Dis. (liters)	2.3	2.3	3.7	3.7	4.3	4.3
Total Sealed Box Vol. (cu. ft.)	0.75	0.75	1.25	1.25	2.5	2.5
Total Sealed Box Vol. (liters)	21.2	21.2	35.4	35.4	70.8	70.8
Total Vented Box Vol. (cu. ft.)	1.5	1.5	2.0	2.0	4.0	4.0
Total Vented Box Vol. (liters)	42.5	42.5	56.6	56.6	113.3	113.3

## FEATURES

- **Complex Thermoplastic Elastomer Surround** – Advanced surround material for max cone isolation and ultimate control.
- **Kapton Matrix Former** – Ultralight Kapton material with matrix construction for zero flex and seriously tight sound.
- **Injection Molded Polypropylene Cone** – Provides a rigid, lightweight cone for excellent sound quality and minimum flexing.
- **X2 Spiders** – Twice the control, even at max excursion.
- **Flow Grate** – Cools the voice coil for proven torture tested performance.
- **Woven-In Tinsel Leads**

Check our website for updates on your products.  
[www.LightningAudio.com](http://www.LightningAudio.com)

# LIMITED WARRANTY



Lightning Audio offers a limited warranty on products on the following terms:

- **Length of Warranty**

- **Speakers**

- One year parts and labor warranty. Requires proof of purchase.

- **Amplifiers**

- Bolt:** One year parts and labor warranty. Requires proof of purchase.

- Strike and Storm:** One year parts and labor warranty. Requires proof of purchase.

- Or, Two years parts and labor warranty if installed by a Authorized Dealer. Requires proof of purchase.

- **CT1, FM1, PC1 and CS1**

- One year parts and labor warranty. Requires proof of purchase.

- **What is Covered**

This warranty applies only to Lightning Audio products sold to consumers by Authorized Lightning Audio Dealers in the United States of America or its possessions. Product purchased by consumers from an Authorized Lightning Audio Dealer in another country are covered only by that country's Distributor and not by Lightning Audio.

- **Who is Covered**

This warranty covers only the original purchaser of Lightning Audio product purchased from an Authorized Lightning Audio Dealer in the United States. In order to receive service, the purchaser must provide Lightning Audio with a copy of the receipt stating the customer name, dealer name, product purchased and date of purchase.

- **Products found to be defective** during the warranty period will be repaired or replaced (with a product deemed to be equivalent) at Lightning Audio's discretion.

- **What is Not Covered**

1. Damage caused by accident, abuse, improper operations, water, theft, shipping
2. Any cost or expense related to the removal or reinstallation of product
3. Service performed by anyone other than Lightning Audio or an Authorized Lightning Audio Service Center
4. Any product which has had the serial number defaced, altered, or removed
5. Subsequent damage to other components
6. Any product purchased outside the U.S.
7. Any product not purchased from an Authorized Lightning Audio Dealer

- **Limit on Implied Warranties**

Any implied warranties including warranties of fitness for use and merchantability are limited in duration to the period of the express warranty set forth above. Some states do not allow limitations on the length of an implied warranty, so this limitation may not apply. No person is authorized to assume for Lightning Audio any other liability in connection with the sale of the product.

- **How to Obtain Service**

Contact the Authorized Lightning Audio Dealer you purchased this product from.

If you need further assistance, please call 1-888-881-8186 for Lightning Audio Customer Service. You must obtain an RA# (Return Authorization number) to return any product to Lightning Audio. You are responsible for shipment of product to Lightning Audio. Always include Proof of Purchase. Mark RA# on outside of shipping carton.

- **EU Warranty**

This product meets the current EU warranty requirements, see your Authorized dealer for details.

Ship to: **Electronics**  
Lightning Audio  
Warranty Repair Department  
2055 E. 5th Street  
Tempe, AZ 85281  
RA#: \_\_\_\_\_

Ship to: **Speakers**  
Lightning Audio  
Speaker Returns  
2356 Turner Ave. NW  
Grand Rapids, MI 49544  
RA#: \_\_\_\_\_