

REACTOR

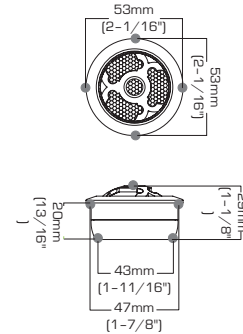
COMPONENT SPEAKERS

RE-CM52520, RE-CM650

Speaker Parameters

	RE-CM52520	RE-CM650
Max Power Rating	200 Watts	260 Watts
RMS Power Rating	65 Watts	85 Watts
Frequency Response	60Hz - 22kHz	55Hz - 22kHz
Impedance	4 Ohms	4 Ohms
Sensitivity	88 dB	88 dB
Mounting Depth	56.5mm [2-1/4"]	65mm [2-9/16"]
Mounting Diameter	118.5mm [4-11/16"]	131mm [5-3/16"]

TWEETER



Crossover Specifications

2-way passive butterworth crossover network
 12 dB / octave
 Adjustable three point tweeter level
 High pass: 3.5kHz
 Low pass: 4.5kHz

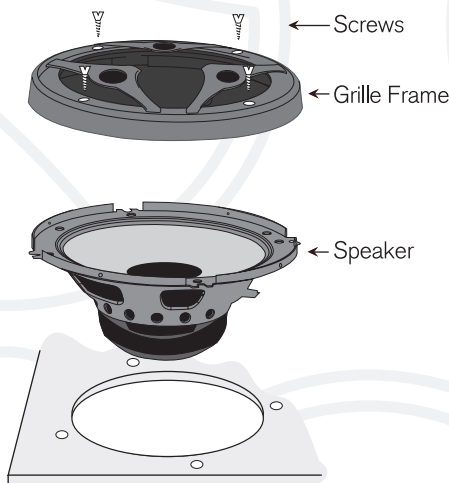
Installation Guidelines

Ensure the audio system is turned off before making any connections to the amplifier, speakers or source unit. Failure to do so could result in permanent damage to the audio system.

When wiring the speakers ensure that the wire is protected from sharp objects and always use rubber grommets when wiring through metal panels. Ensure all terminals and connections are protected from the vehicle chassis and from each other as failure to do so could result in permanent damage to the audio system.

When connecting the source unit and speakers ensure you connect the positive and negative output wire from the source unit to the corresponding speaker terminals. This will ensure the audio system will be in phase.

- 1) Ensure there is adequate clearance and depth for the speaker to be mounted
- 2) Use the supplied template to mark out and cut the correct diameter hole
- 3) Drill four holes for the mounting screws
- 4) Insert the speaker and grille frame and affix with the screws provided



Warning: Do not drill mounting holes with speaker in place as this could allow drill shavings to damage the voice coil and void your warranty.

Tweeter (surface/angle mount)

To obtain the best performance from the tweeter it should be located on axis to approximately 4" below the rear view mirror. Select the mount you require and use this as a template to drill the holes to mount or alternatively if using the adhesive pad ensure the mounting surface is cleaned with a residue free cleaner and stick the tweeter down. Attach the wires to the crossover.

Tweeter (flush mount)

Ensure you have adequate depth to mount the tweeter and cut a 47mm hole. Assemble the rear mount with the spring clamp and press through from the rear of the hole, then attach the front plate to the rear plate as shown in the illustration. Attach the wires to the crossover.

Selectable Tweeter Gain Switch

The FUSION crossover comes with a selectable gain switch. This allows the tweeter output to be adjusted +/-3dB (double or half)

Crossover Installation

Do not use any crossover other than the FUSION crossover supplied with these speakers or risk permanent damage to one or more components.

- 1) Mount the crossover in a dry location close to the speakers.
- 2) Connect the wires from the source unit/amplifier to the crossover and from the x-over to the speakers/tweeters.
- 3) Select the preferred tweeter level

For further product and installation information please visit www.fusionelectronics.com

Para obtener más información sobre los productos o su instalación, visite www.fusionelectronics.com

Weitere Informationen zum Produkt und zur Installation finden Sie auf folgender Website: www.fusionelectronics.com

Ga naar www.fusionelectronics.com voor meer product- en montage-informatie

Pour plus de renseignements sur les produits et l'installation, veuillez consulter www.fusionelectronics.com

Per ulteriori informazioni su prodotto e installazione, potete visitare www.fusionelectronics.com

За дополнительной информацией о продукции и установке обращайтесь на www.fusionelectronics.com

RECORD YOUR PURCHASE DETAILS HERE:

MODEL NUMBER _____ DATE OF PURCHASE _____

AFFIX RECEIPT HERE

WARNING! Audio Systems can produce sound levels over 135dB. Continuous exposure to sound pressure levels over 100dB may cause permanent hearing loss! Please watch for emergency vehicles as warning signals may not be heard. USE COMMON SENSE!