

SPECIFICATIONS

COMPO-TITION130	COMPO-TITION165
Rated power 2 x200W / 400W	Rated power 2 x250W / 500W
RMS power at 4 ohm 2 x175W / 350W	RMS power at 4 ohm 2 x200W / 400W
Chrome Basket	Chrome Basket
Press Cone With Rubber Edge	Press Cone With Rubber Edge
1" (25mm) AL Voice Coil	1" (25mm) AL Voice Coil
Magnet Weight : 8 Oz	Magnet Weight : 8 Oz
Impedance : 4 Ohms	Impedance : 4 Ohms
1" Neodymium Tweeter	1" Neodymium Tweeter
Freq. Response : 65 Hz ~ 20 kHz	Freq. Response : 45 Hz ~ 20 kHz

Technical Information *Thiele/Small Parameters*

COMPO-TITION130	COMPO-TITION165
Fs: 85 Hz	Fs: 75 Hz
Re: 3.60 Ohms	Re: 3.60 Ohms
Qms: 3.654	Qms: 2.458
Qes: 1.581	Qes: 2.289
Qts: 1.104	Qts: 1.185
Vas: 3.067 liter	Vas: 5.522 liter
Mms: 7.718 gr	Mms: 13.732 gr
Cms: 350 um/newton	Cms: 220 um/newton
Bl: 4.0 Tesla-M	Bl: 4.5 Tesla-M
S.P.L.: 90 dB at 1w/1m	S.P.L.: 90 dB at 1w/1m

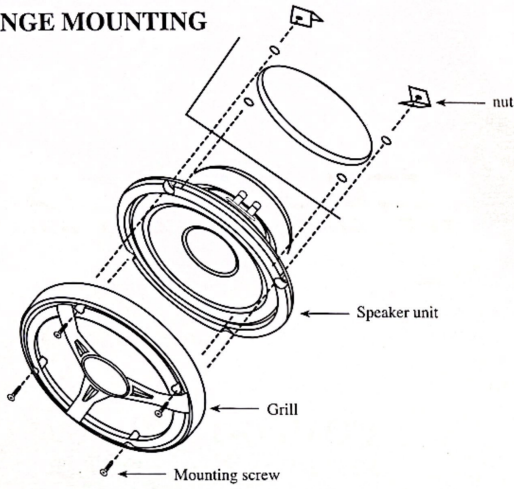
CLIMAX
THE SOUND OF EXCELLENCE

COMPO-TITION130
5.25" 2-WAY COMP. SPEAKER

COMPO-TITION165
6.5" 2-WAY COMP. SPEAKER

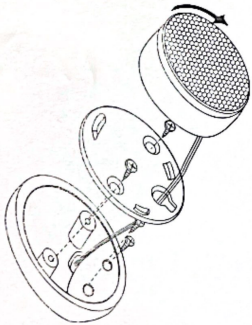
Owner's Guide

MIDRANGE MOUNTING

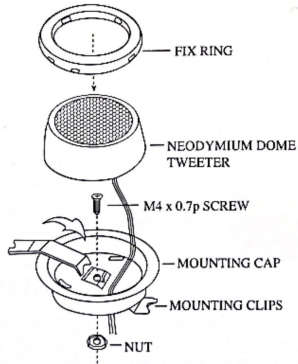


INSTALLATION OF TWEETER

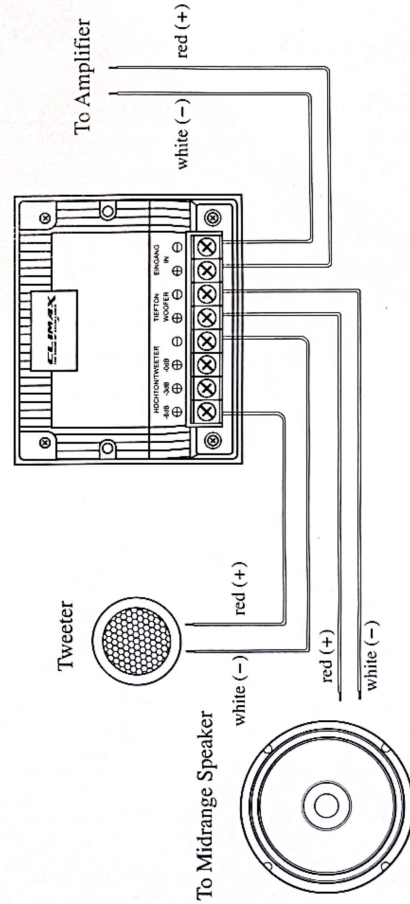
Surface Angle Mounting



Flush Mounting



CROSSOVER WIRING



NOTE: The tweeter has three terminals for selectable level. Choose 0/-3dB/-6dB output, depending on your request and match all system.