



**Jockford Fosgate®**

T142C  
T152C  
T162C  
T1462C  
T1572C  
T1682C  
T1692C  
T1693C

## **Installation & Operation**

Installation et fonctionnement  
Instalación y funcionamiento  
Einbau und Betrieb  
Installazione e funzionamento

## **Power Series**

High Performance Full Range Coaxials

## INTRODUCTION

---

Dear Customer,

*Congratulations on your purchase of the world's finest brand of car audio speakers. At Rockford Fosgate we are fanatics about musical reproduction at its best, and we are pleased you chose our product. Through years of engineering expertise, hand craftsmanship and critical testing procedures, we have created a wide range of products that reproduce music with all the clarity and richness you deserve.*

*For maximum performance we recommend you have your new Rockford Fosgate product installed by an Authorized Rockford Fosgate Dealer, as we provide specialized training through Rockford Technical Training Institute (RTTI). Please read your warranty and retain your receipt and original carton for possible future use.*

*Great product and competent installations are only a piece of the puzzle when it comes to your system. Make sure that your installer is using 100% authentic installation accessories from Connecting Punch in your installation. Connecting Punch has everything from RCA cables and speaker wire to Power line and battery connectors. Insist on it! After all, your new system deserves nothing but the best.*

*To add the finishing touch to your new Rockford Fosgate image order your Rockford accessories, which include everything from T-shirts and jackets to hats and sunglasses.*

*To get a free brochure on Rockford Fosgate products and Rockford accessories, visit our web site at: [www.rockfordfosgate.com](http://www.rockfordfosgate.com) or, in the U.S. call 1-800-669-9899 or FAX 1-800-398-3985.*

*For all other countries, call +001-480-967-3565 or FAX +001-480-967-8132.*

## PRACTICE SAFE SOUND™

Continuous exposure to sound pressure levels over 100dB may cause permanent hearing loss. High powered auto sound systems may produce sound pressure levels well over 130dB. Use common sense and practice safe sound.

If, after reading your manual, you still have questions regarding this product, we recommend that you see your Rockford Fosgate dealer. If you need further assistance, you can call us direct at 1-800-669-9899. Be sure to have your serial number, model number and date of purchase available when you call.

The serial number can be found on the outside of the box. Please record it in the space provided below as your permanent record. This will serve as verification of your factory warranty and may become useful in recovering your source unit if it is ever stolen.

Serial Number: \_\_\_\_\_

Model Number: \_\_\_\_\_

## TABLE OF CONTENTS

---

<b>Introduction</b> . . . . .	<b>2</b>	<b>Installation</b> . . . . .	<b>4-5</b>
<b>Safety Instructions</b> . . . . .	<b>3</b>	Installation Considerations . . . . .	4
<b>Contents of Carton</b> . . . . .	<b>3</b>	Mounting . . . . .	4
		<b>Specifications</b> . . . . .	<b>6</b>
		<b>Limited Warranty Information</b> . . . . .	<b>7</b>

**NOTE:** Review each section for more detailed information.

## GETTING STARTED

Welcome to Rockford Fosgate! This manual is designed to provide information for the owner, salesperson and installer. For those of you who want quick information on how to install this product, please turn to the **Installation Section** of this manual. Other information can be located by using the Table of Contents. We, at Rockford Fosgate, have worked very hard to make sure all the information in this manual is current. But, as we are constantly finding new ways to improve our product, this information is subject to change without notice.

---

## SAFETY INSTRUCTIONS

### **WARNING**

This symbol with “**WARNING**” is intended to alert the user to the presence of important instructions. Failure to heed the instructions will result in severe injury or death.

### **CAUTION**

This symbol with “**CAUTION**” is intended to alert the user to the presence of important instructions. Failure to heed the instructions can result in injury or unit damage.

 **CAUTION:** To prevent injury and damage to the unit, please read and follow the instructions in this manual. We want you to enjoy this system, not get a headache.

 **CAUTION** If you feel unsure about installing this system yourself, have it installed by a qualified Rockford Fosgate technician.

 **CAUTION** Before installation, disconnect the battery negative (-) terminal to prevent damage to the unit, fire and/or possible injury.

---

## CONTENTS OF CARTON

One (1) Pair of Full Range Speakers  
One (1) Pair of Grilles (T142C, T152C,  
T162C, T1692C, and T1693C Only)

20' (6.1m) of 18 gauge Speaker Wire  
Installation & Operation Manual  
Mounting Hardware

Visit our web site for the latest information on all Rockford products.

[www.rockfordfosgate.com](http://www.rockfordfosgate.com)

# INSTALLATION

---


## INSTALLATION CONSIDERATIONS

The following is a list of tools needed for installation:

#2 Phillips screwdriver	Wire strippers
Battery post wrench	Wire crimpers
Hand held drill w/assorted bits	Wire cutters

Since some of these Power Series High Performance Full Range Coaxials are most often used as direct replacements for stock speakers and are shipped without grilles, some of the following instructions will not apply. For custom installations see your Authorized Rockford Fosgate Dealer.

 **CAUTION** If you feel unsure about installing this system yourself, have it installed by a qualified Rockford Fosgate technician.

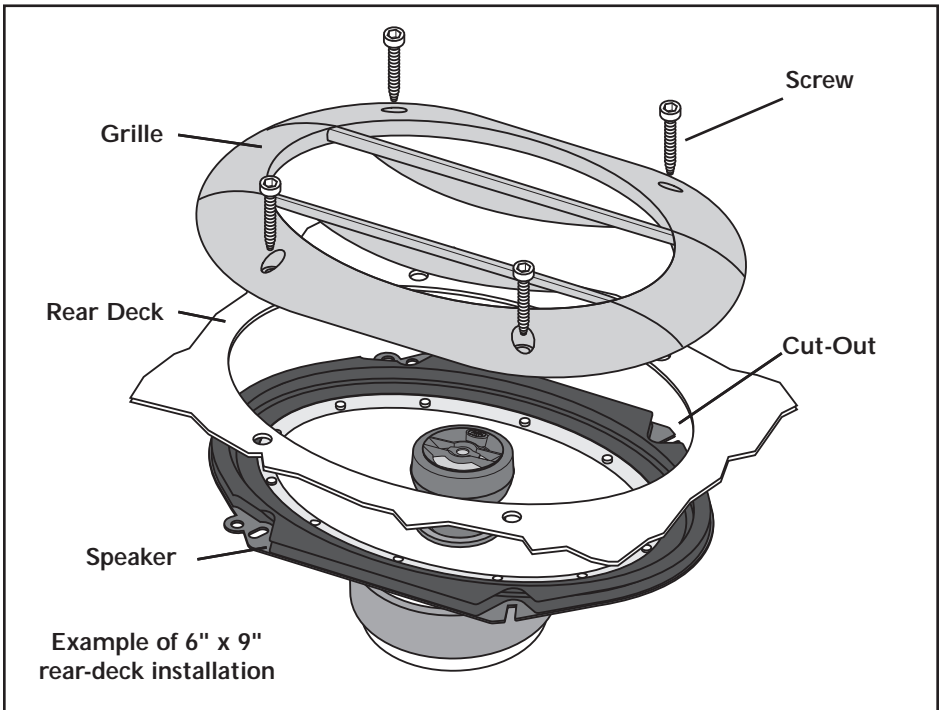
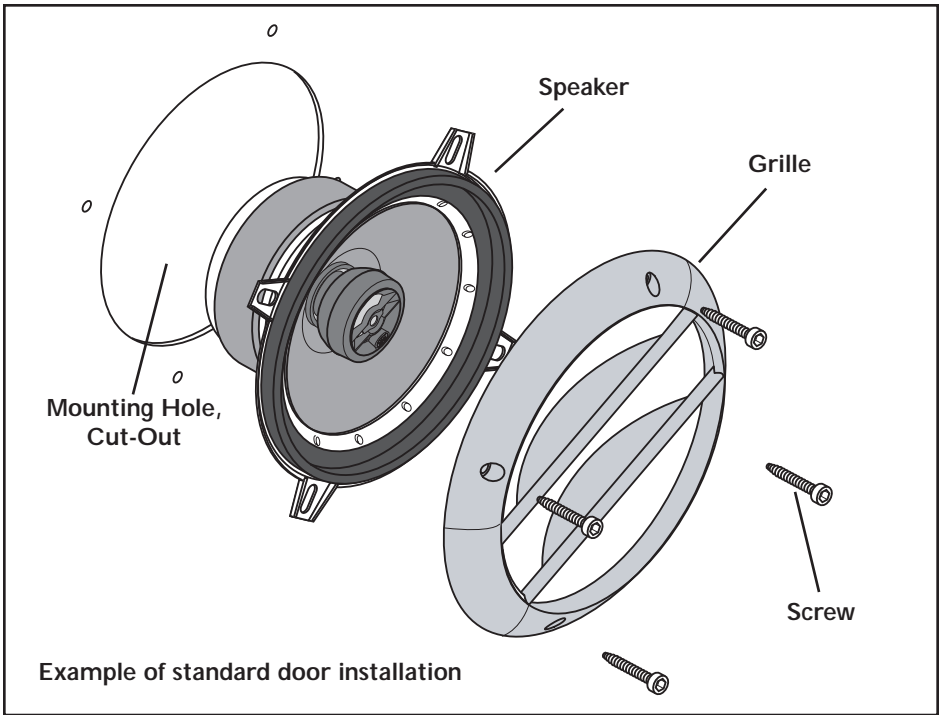
 **CAUTION** Before installation, disconnect the battery negative (-) terminal to prevent damage to the unit, fire and/or possible injury.

Before beginning any installation, follow these simple rules:

1. Be sure to carefully read and understand the instructions before attempting to install the Unit.
2. For safety, disconnect the negative lead from the battery prior to beginning the installation.
3. For easier assembly, we suggest you run all wires prior to mounting your Unit in place.
4. Use high quality connectors for a reliable installation and to minimize signal or power loss.
5. Think before you drill! Be careful not to cut or drill into gas tanks, fuel lines, brake or hydraulic lines, vacuum lines or electrical wiring when working on any vehicle.
6. Never run wires underneath the vehicle. Running the wires inside the vehicle provides the best protection.
7. Avoid running wires over or through sharp edges. Use rubber or plastic grommets to protect any wires routed through metal, especially the firewall.

## MOUNTING

1. Determine where the speakers will be mounted. Ensure an area large enough for the speaker to mount evenly. Be sure that the mounting location is deep enough for the speaker to fit; if mounting in a door, operate all functions (windows, locks, etc.) through their entire operating range to ensure there is no obstruction.
2. Refer to the specification chart to determine the proper diameter hole to cut for your speaker model.
3. Using the grille (not included in all models) as a template, mark the locations for the mounting screws. Drill the holes with a 1/8" bit.
4. Feed the speaker wires through the cutout and connect to the speaker terminals. Be sure to observe proper polarity when connecting the wires. The speaker's positive terminal is indicated with a "+".
5. Fit the speaker to the cutout. Fit the grille over the speaker. Mount them using the enclosed screws and clips.
6. Tighten the screws until the speaker and grille are snug in place to prevent rattling. Do not overtighten the screws.



## SPECIFICATIONS

---

### FEATURES - All Models

- Injection Molded Polypropylene Cone
- 3/4" Aluminum Dome Tweeter with Composite Surround
- Kapton Former
- Polyurethane Surround

Model	T142C	T152C	T162C	T1462C
Nominal Diameter (inch)	4	5	6.5	4 x 6
Nominal Diameter (mm)	101.6	127	165.1	101.6 x 152.4
Description	2-way	2-way	2-way	2-way
Nominal Impedance (ohms)	4 Ω	4 Ω	4 Ω	4 Ω
Frequency Response	80Hz-22kHz	70Hz-22kHz	60Hz-22kHz	80Hz-22kHz
Sensitivity (SPL@1w/1m)	85dB	86dB	88dB	85dB
Power Handling (Watts RMS/Peak)	40/80	60/120	75/150	40/80

### Installation

Speaker Grilles	X	X	X	—
Mounting Diameter (inch)	3-21/32	4-1/2	5-21/32	4-3/32 x 6-3/16
Mounting Diameter (mm)	93	114	144	104 x 157
Mounting Depth (inch)	1-19/32	2	2-1/2	1-29/32
Mounting Depth (mm)	41	51	64	48

---

Model	T1572C	T1682C	T1692C	T1693C
Nominal Diameter (inch)	5 x 7	6 x 8	6 x 9	6 x 9
Nominal Diameter (mm)	127 x 177.8	152.4 x 203.2	152.4 x 228.6	152.4 x 228.6
Description	2-way	2-way	2-way	3-way
Nominal Impedance(ohms)	4 Ω	4 Ω	4 Ω	4 Ω
Frequency Response	60Hz-22kHz	60Hz-22kHz	50Hz-22kHz	40Hz-22kHz
Sensitivity (SPL@1w/1m)	88dB	88dB	90dB	90dB
Power Handling (Watts RMS/Peak)	75/150	75/150	100/200	110/200

### Installation

Speaker Grilles	—	—	X	X
Mounting Diameter (inch)	5 x 7-1/8	5-3/16 x 7-7/16	6-5/32 x 8-9/16	6-5/32 x 8-9/16
Mounting Diameter (mm)	127 x 181	132 x 189	156 x 218	156 x 218
Mounting Depth (inch)	2-13/16	2-1/2	3	3
Mounting Depth (mm)	64	64	76	76

*Specifications subject to change without notice*

Rockford Corporation offers a limited warranty on Rockford Fosgate products on the following terms:

***Length of Warranty***

**Source Units, Speakers, Signal Processors and PUNCH Amplifiers – 1 Year**  
**POWER Amplifiers – 2 Years                      Type RF Amplifiers – 3 Years**  
**Any Factory Refurbished Product – 90 days (receipt required)**

***What is Covered***

This warranty applies only to Rockford Fosgate products sold to consumers by Authorized Rockford Fosgate Dealers in the United States of America or its possessions. Product purchased by consumers from an Authorized Rockford Fosgate Dealer in another country are covered only by that country's Distributor and not by Rockford Corporation.

***Who is Covered***

This warranty covers only the original purchaser of Rockford product purchased from an Authorized Rockford Fosgate Dealer in the United States. In order to receive service, the purchaser must provide Rockford with a copy of the receipt stating the customer name, dealer name, product purchased and date of purchase.

Products found to be defective during the warranty period will be repaired or replaced (with a product deemed to be equivalent) at Rockford's discretion.

***What is Not Covered***

1. Damage caused by accident, abuse, improper operations, water, theft, shipping
2. Any cost or expense related to the removal or reinstallation of product
3. Service performed by anyone other than Rockford or an Authorized Rockford Fosgate Service Center
4. Any product which has had the serial number defaced, altered, or removed
5. Subsequent damage to other components
6. Any product purchased outside the U.S.
7. Any product not purchased from an Authorized Rockford Fosgate Dealer

***Limit on Implied Warranties***

Any implied warranties including warranties of fitness for use and merchantability are limited in duration to the period of the express warranty set forth above. Some states do not allow limitations on the length of an implied warranty, so this limitation may not apply. No person is authorized to assume for Rockford Fosgate any other liability in connection with the sale of the product.

***How to Obtain Service***

Contact the Authorized Rockford Fosgate Dealer you purchased this product from. If you need further assistance, call 1-800-669-9899 for Rockford Customer Service. You must obtain an RA# (Return Authorization number) to return any product to Rockford Fosgate. You are responsible for shipment of product to Rockford.

***EU Warranty***

This product meets the current EU warranty requirements, see your Authorized dealer for details.

Ship to: **Electronics**  
Rockford Corporation  
Warranty Repair Department  
2055 E. 5th Street  
Tempe, AZ 85281  
RA#: \_\_\_\_\_

Ship to: **Speakers**  
Rockford Acoustic Design  
Speaker Returns  
2356 Turner Ave. NW  
Grand Rapids, MI 49544  
RA#: \_\_\_\_\_

# Rockford Fosgate®

Installation assistance available at:

## RFTECH

[www.rockfordfosgate.com/rftech](http://www.rockfordfosgate.com/rftech)



**Rockford Fosgate**  
Rockford Corporation  
546 South Rockford Drive  
Tempe, Arizona 85281 U.S.A.  
In U.S.A., (480) 967-3565  
In Europe, Fax (49) 8503-934014  
In Japan, Fax (81) 559-79-1265

[www.rockfordfosgate.com](http://www.rockfordfosgate.com)