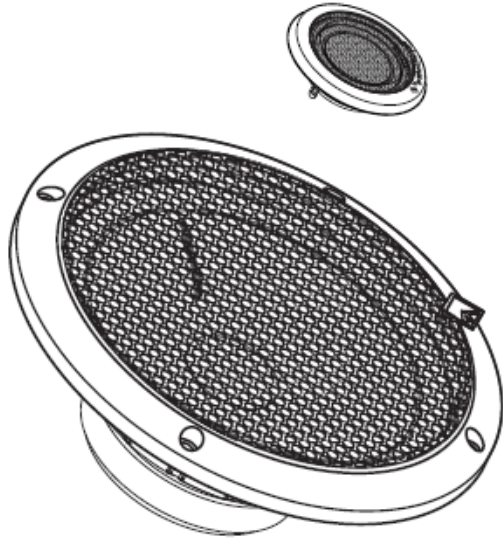




**P R I M E**<sup>™</sup>  
Component Systems



**5.25" - R152-S**  
**6.5" - R1652-S**  
**1" Tweeter System - R1T-S**

**Installation & Operation**  
Installation et fonctionnement  
Instalación y funcionamiento  
Einbau und Betrieb  
Installazione e funzionamento

Serial Number: \_\_\_\_\_

Date of Purchase: \_\_\_\_\_

## FEATURES

### Built-In Tweeter Crossover

For the R152-S and R1652-S, a HP (High-Pass) crossover is integrated into the tweeter housing. This crossover allows for easy connection of the full component system. Just jump wires from the secondary terminals on the mid-range/woofer to the tweeter terminals, see diagram below.

#### NOTE:

The tweeter has an integrated 6dB/octave HP crossover. The mid-range/woofer has natural roll-off characteristics exhibit great acoustic crossover filtering.

## SPECIFICATIONS

PRIME Components	R152-S	R1652-S	R1T-S
Nominal Diameter - inch (mm)	5.25 (133)	6.5 (165)	1.0 (25)
Description	2-Way Component	2-Way Component	Tweeter Kit
Nominal Impedance (ohms)	4Ω	4Ω	4Ω
Frequency Response (Hz)	58Hz-20kHz	55Hz-20kHz	2.5kHz-22kHz
Crossover Frequency (Hz)	12kHz	12kHz	12kHz
6dB/octave Butterworth Crossover	HP (High Pass)	HP (High Pass)	HP (High Pass)
Voice Coil Diameter - inch (mm)	1.04 (26.5)	1.04 (26.5)	0.55 (13.9)
Fs - Free Air Resonance (Hz)	72Hz	59Hz	2.6kHz
Qts	0.94	0.70	-
Vas - cu. ft. (Liter)	0.22 (5.8)	0.61 (15.5)	-
Xmax - inch (mm)	0.07 (1.7)	0.20 (5.2)	-
SPL (dB @ 1w/1m)	86dB	89dB	72.5dB
Power Handling-Watts (RMS / MAX)	40W / 80W	40W / 80W	40W / 80W
Mounting Diameter-inch (mm)	4.76 (121)	5.71 (145)	1.83 (46) (Flush Mount)
Mounting Depth-inch (mm)	1.91 (48)	2.17 (55)	0.76 (19) (Flush Mount)
<b>Includes Grille/Trim Ring</b>	<b>YES</b>	<b>YES</b>	<b>YES</b>
Grille/Trim Ring Diameter-inch (mm)	6.10 (154.6)	7.01 (178)	2.13 (54)
Grille/Trim Ring Height-inch (mm)	0.70 (17)	0.67 (17)	0.29 (7)

See figures on following pages.

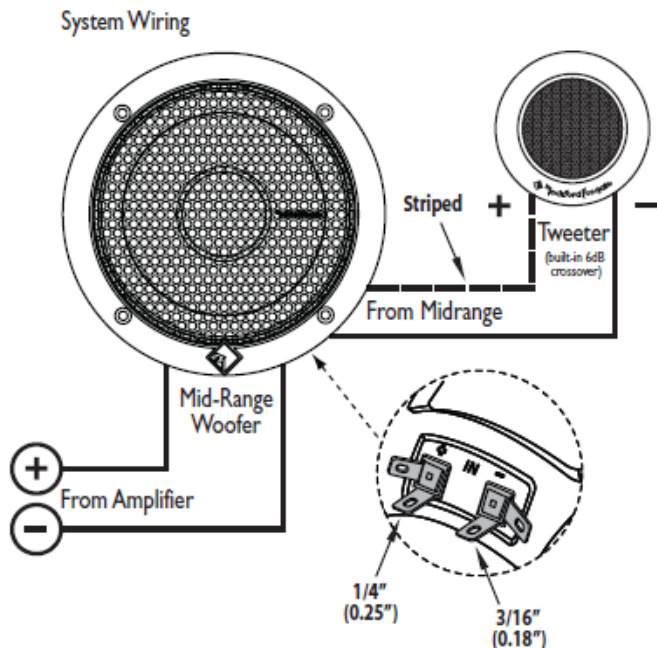
Specifications subject to change without notice.

## WIRING

1. Use illustration for proper connection.
2. Be sure to maintain speaker polarity.
3. Connect primary tabs on Mid-Range/Woofer to Amplifier.
4. Connect secondary tabs on Mid-Range/Woofer to Tweeter.

#### NOTE:

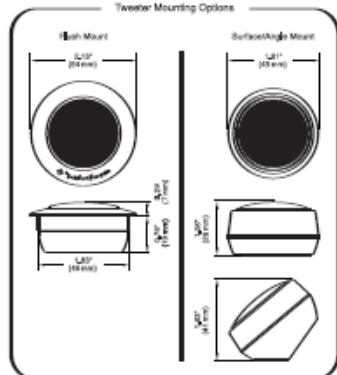
The tweeter has an integrated 6dB/octave HP crossover. The mid-range/woofer has natural roll-off characteristics exhibit great acoustic crossover filtering.



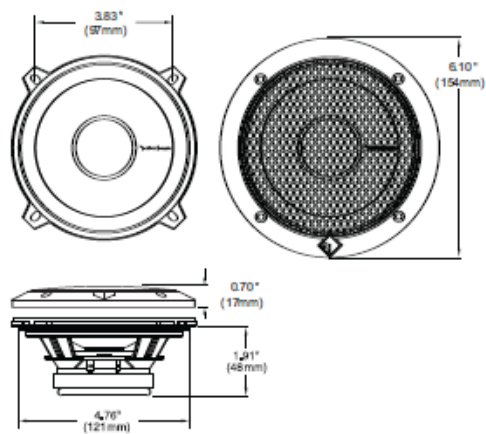
## SPECIFICATIONS

R1T-S

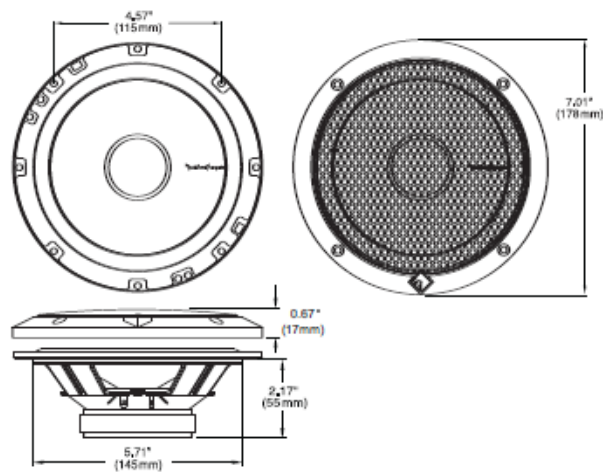
Two-Way Mounting Options



R152-S

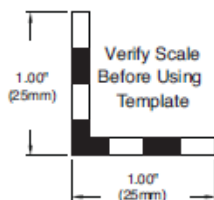
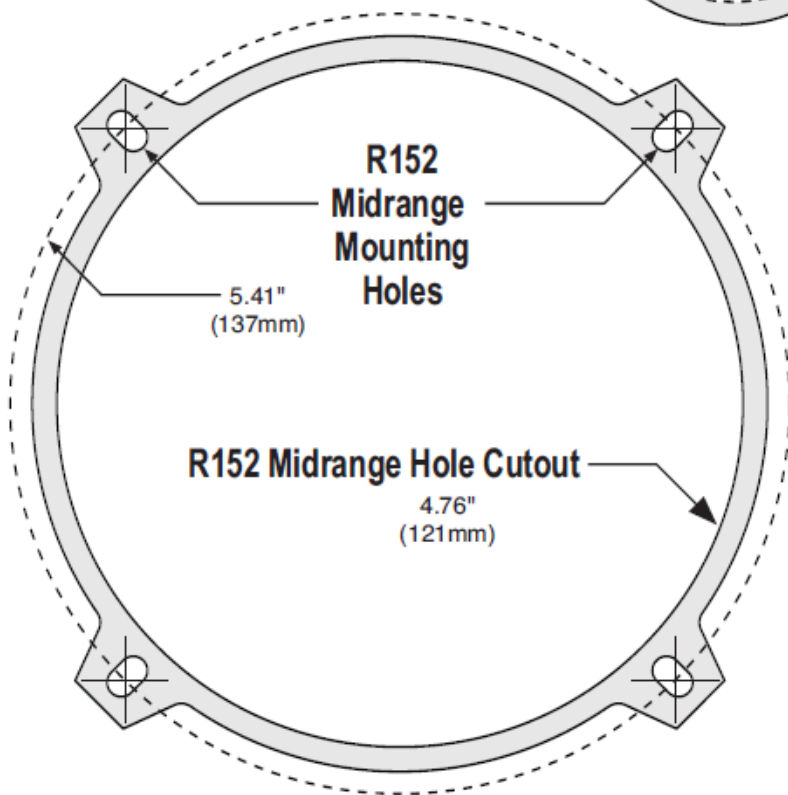
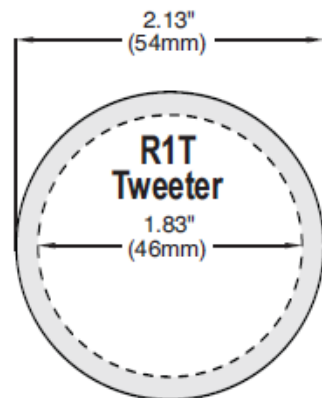


R1652-S



Specifications subject to change without notice.

# R152-S Component System



# R1652-S Component System

